

W900™ CURVE VERSION 1.5

Lumen Rating	890 lm
Power Usage	16 W
Colour Rendering Index	93

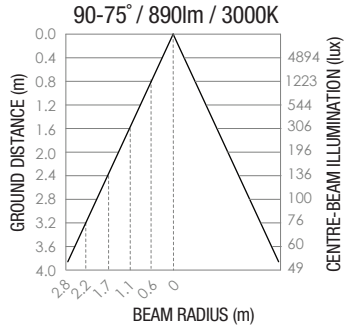
brightgreen

SPECIFICATION CODES

UNIT	FAMILY	COLOR TEMP	BEAM ANGLE	FASCIA COLOR
W900	CR	3k	90°/75°	S (Silver)
-	-	Ch (2.7 - 5.7k)	-	W (White)

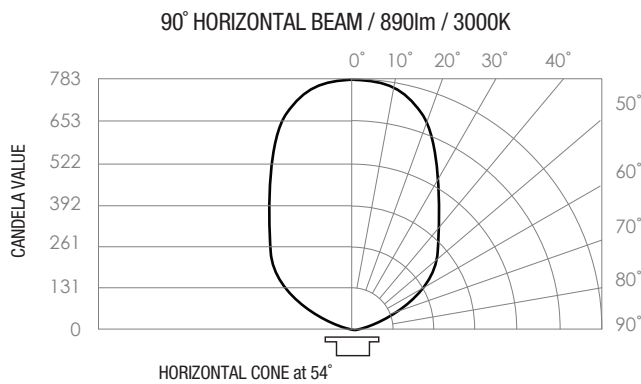
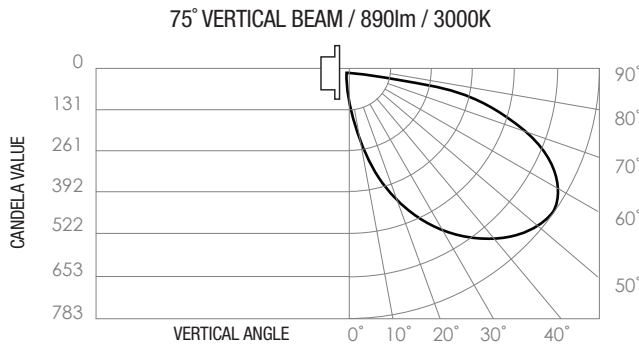
LIGHT PROPAGATION DIAGRAM

Illumination at a Distance



PHOTOMETRICS

W900 CURVE 90°/75° Polar Candela Distribution
(IES files available on brightgreen.com)

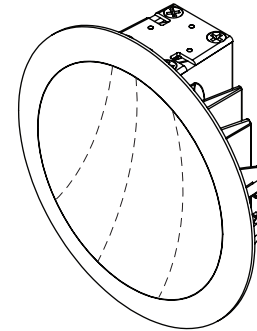


FASCIA APPEARANCE

SILVER



WHITE

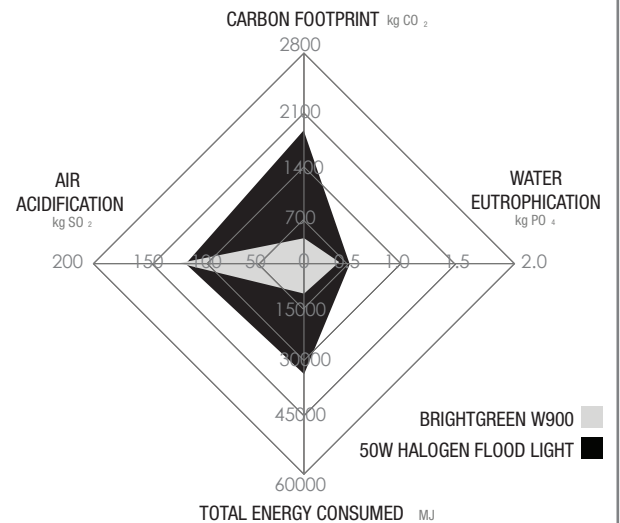


COMMON APPLICATIONS

RESIDENTIAL	COMMERCIAL	LIGHTING TECHNIQUES
Houses Apartments	Restaurants Retail premises Offices Foyers	Indirect Direct Orientation Wall washer Ceiling washer Feature

ENVIRONMENTAL IMPACT

25 years life
8 hours running time per day

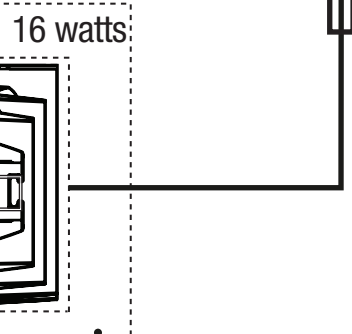
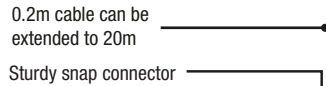
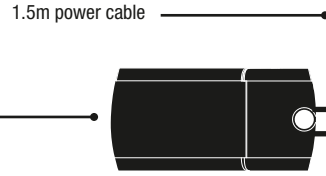
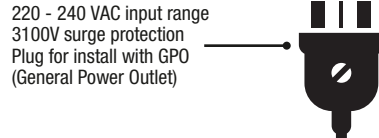


INSTALLATION DIAGRAM

All parts in this diagram are included and assembled in W900 Curve package



Dimmable Brightgreen LED driver (included) - Use with Leading Edge, Trailing Edge or Universal dimmers)



Keep clearance of 20mm all around back of luminaire



SPECIFICATIONS

Physical

Fascia Colour	Silver/White
Weight	880g
Gimble Angle	N/A
Install Clearance	20mm
STC Rating	42
Luminaire Safety Class	IEC 60598 - 1:2008
Warranty	7 years
Material	Aluminium, PC
Paint Matching	Dulux Whisper White Wattyl 'Wiltshire' E14w Taubmans Moonlit Snow

Operational

Total Lumen Output	890 lm
Light Quality	CRI 93
Efficacy	55 lm/W
Beam Angle	90°/75°
Color Temp.	3000K
Operating Temp.	-30°C to 85°C
Average Temp.	56°C (@Ta25)
Ambient Temp.	-28°C to 65°C
Lifetime	70,000hrs (@Ta25)

Electrical

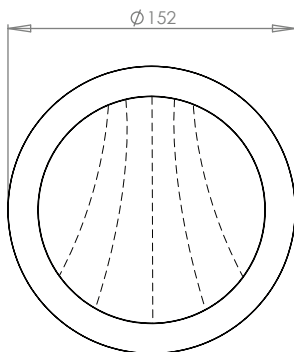
Input Voltage	220-240VAC
Power Usage	16 W (inc. driver)
Dimming Range	3 - 100%
Driver Power Factor	>0.9
IP Rating	IP40
Surge Protection	3100V
Cable Length	1.5m
Driver Number	BG-DRV:A-900/20-V2 (5 year driver warranty)

Compatibility

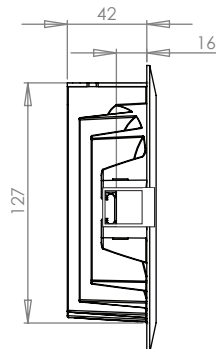
- Leading Edge Dimmers
 - Trailing Edge Dimmers
 - Universal Dimmers (optimal)
 - Dali Dimmers (available on request)
- Note: Compatible with centralised control systems such as Clipsal C-Bus

DIMENSIONS

W900 MEASUREMENTS IN MILLIMETRES



FRONT VIEW

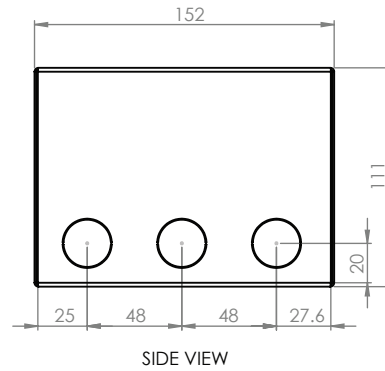
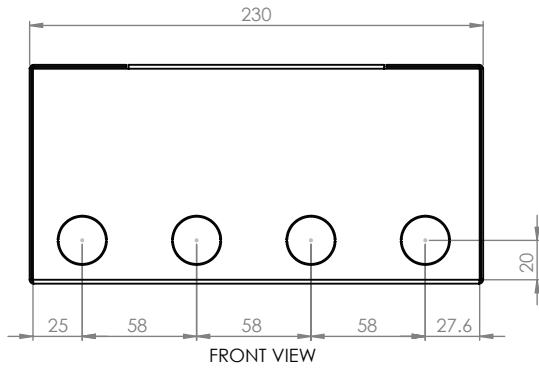
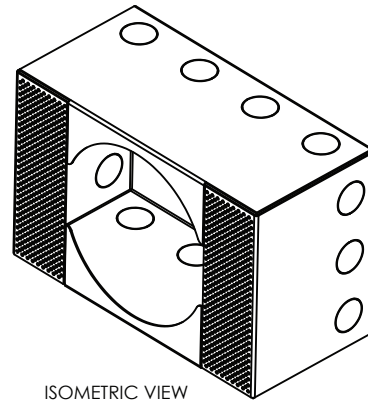
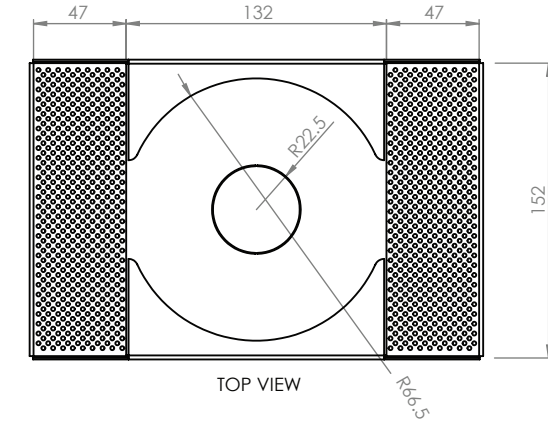


SIDE VIEW

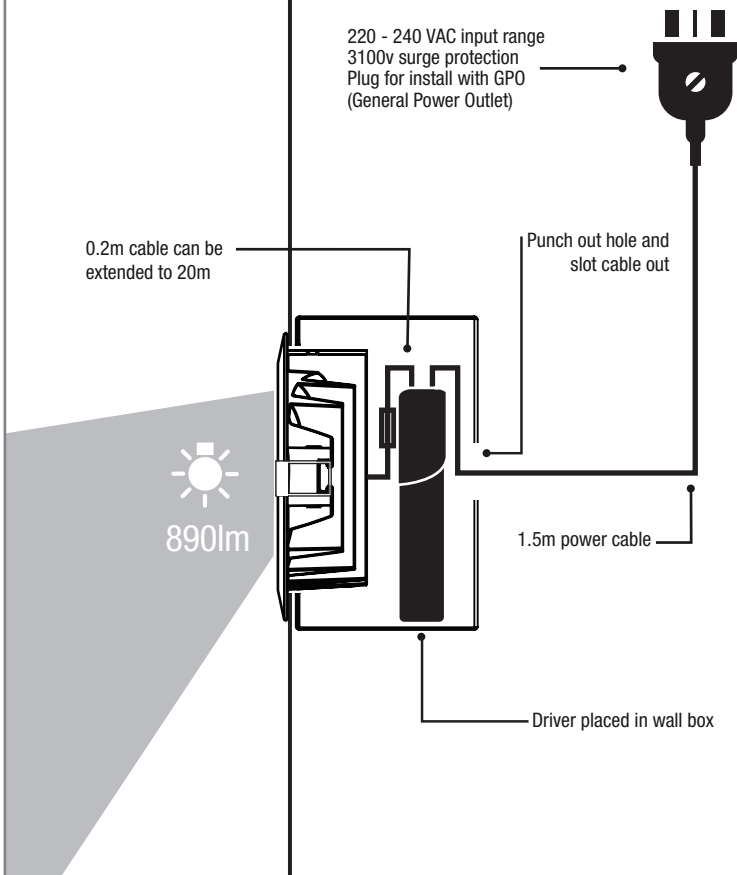
WALL BOX

W900 MEASUREMENTS IN MILLIMETRES

Wall boxes are available for this product for installation into brickwork.
 Dimensions of the boxes are based on standard brick sizes”
 The specification & Order code for this product is: Wallbox-W900-CR



INSTALL OPTION 1



INSTALL OPTION 1

